

Model **DS**
Manual



Model **DSA**
Automatic



Model **DSJ**
Parallel
Alternating

Features

Double mechanical seal in oil chamber

An oil lubricated double mechanical seal with lower faces of hard silicon carbide provides strong and reliable shaft sealing

Robust construction and compact design

Of rugged cast iron construction, with all fasteners of stainless steel.

In built motor protection

Quick acting dual response overloads provides protection against overload, lock or open phase.

Automatic operation

All models upto 3.7 kW are available as automatic (A' type) or parallel alternating (J' type) pumps with inbuilt controls and float switches. No need for separate control panels, simply connect to power source.

Applications

- Purification tank drainage
- Rain and spring water drainage
- Water supply

Specifications

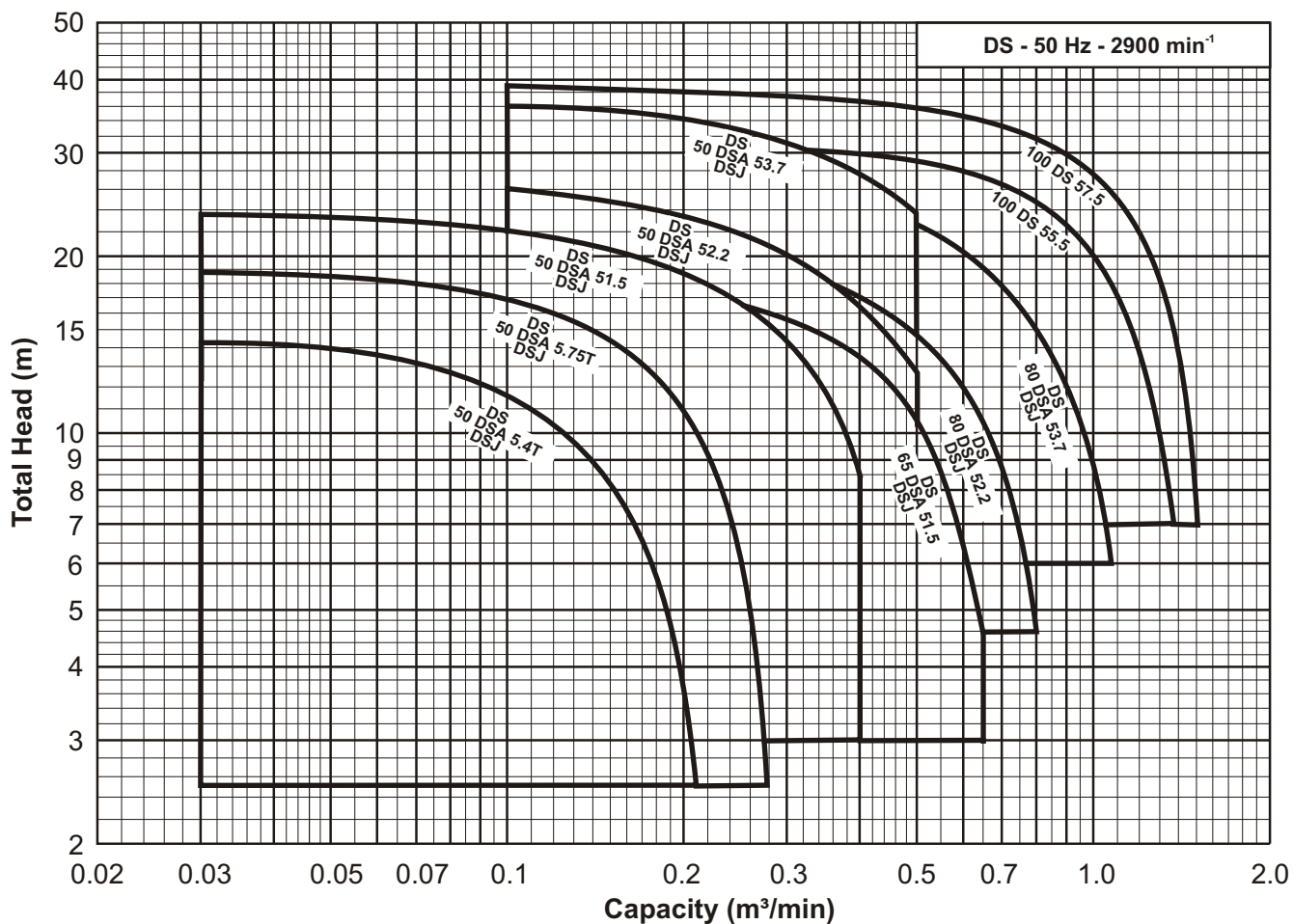
50Hz

		Standard	Optional
Scope	Discharge	50 - 100 mm	
	Motor Power	0.4 - 7.5 kW (3phase)	
	Performance	Capacity : 0.03 - 1.6 m ³ /min Head : 2.5 - 39 m.	
Liquid	Type	Dirty Water	
	Maximum temperature	40° C (Manual and A Type) 32° C (J' Type)	
	Max. solids	refer to table below	
Submergence	Maximum	8 m (2.2 - 7.5 kW) 4 m (0.4 - 1.5 kW)	
	Minimum	Refer to low water level (L.W.L.) in dimensions.	
Construction	Impeller	Semi - Open (with strainer)	
	Mechanical Seal	Oil lubricated, single spring double mechanical seal	
Materials	Casing	Cast Iron	
	Impeller	Cast Iron	
	Suction Cover	Stainless Steel (0.4-1.5 kW) Cast Iron (2.2-7.5 kW)	
	Shaft	403 Stainless Steel	
	Motor Frame	Cast Iron	
	Fasteners	304 Stainless Steel	
	Mechanical Seal	Upper Faces : Carbon / Ceramic Lower Faces : Silicon Carbide / Silicon Carbide Lubricating Oil: Turbine Oil VG32 (SAE10W/20W)	
Motor	Type	Air filled dry submersible, IP68, Class E insulation (0.4 kW), Class F insulation (others)	
	Nominal Speed	2900 rpm	
	Applicable voltages	380/400/415 Volt 3 phase 50 Hz	
	Starting	DOL	
	Protection	In built overload protection	
	Bearings	Pre lubricated sealed ball bearings	
Cable	Length	6m (0.4 to 1.5 kW) 10m (2.2 to 7.5 kW)	
Accessories	Flange	Screwed oval type (50Ø, 0.4 - 1.5 kW) Discharge elbow with screwed companion flange (50Ø 2.2 & 3.7 kW, all 65 & 80Ø sizes)	
			Quick Discharge Connector (QDC)

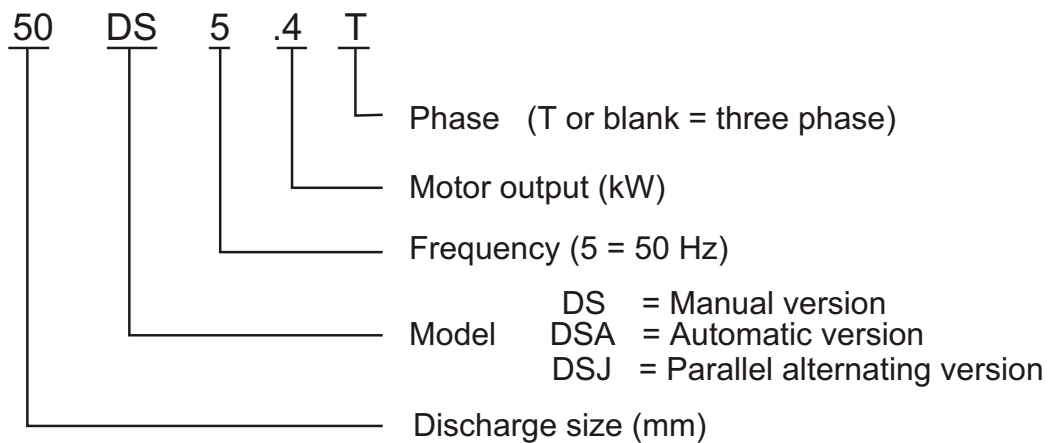
Solids Handling					
Model	- discharge	50 Ø	65 Ø	80 Ø	100 Ø
	- motor kW	All	All	All	All
Max. Diameter of Solids		5 mm	6 mm	7 mm	8 mm
Max. Length of Fibers		50 mm	50 mm	50 mm	50 mm

Performance Chart

50Hz



Model code



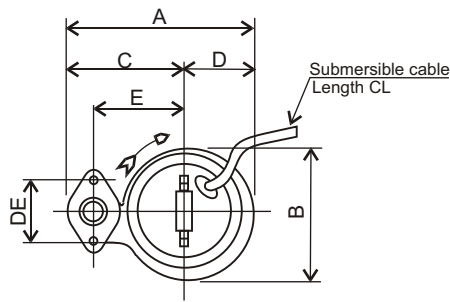


Figure 1

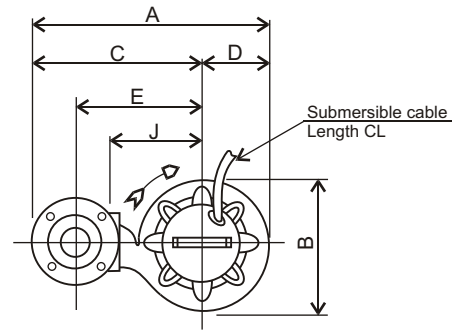
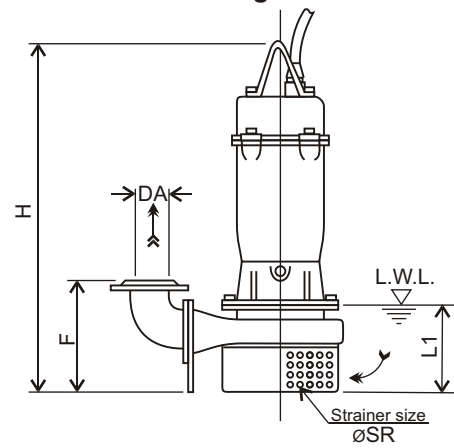
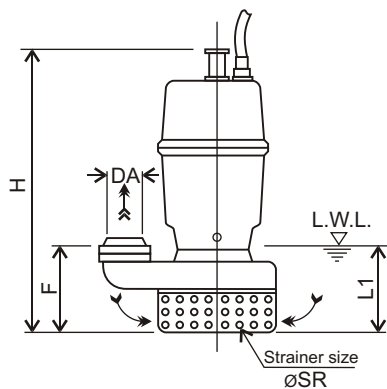


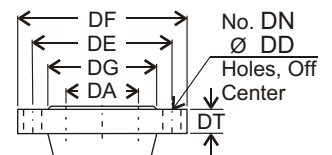
Figure 2



Note:

- 1/. L.W.L (Low Water Level)
Is limited to 10 minutes operation at low water level.
- 2/. Is limited to 30 minutes operation with water level below top of motor.

Discharge Flange Dimensions
(JIS 10kgf/cm²)



DA	DE	DF	DG	DT	DN	DD
50	120	155	96	18	4	15
65	140	175	116	18	4	15
80	150	185	126	18	8	15
100	175	210	151	20	8	15

Size	Model	Fig.	Output KW	Phase	DA	A	B	C	D	E	F	H	DE	J	L1	ØSR	CL	Weight
50	50 DS 5.4T	1	0.4	3	PT2"	260	186	168	92	130	99	396	96	-	110	8	6 m	16 kg
	50 DS 5.75T	1	0.75	3	PT2"	260	186	168	92	130	99	396	96	-	110	8	6 m	17 kg
	50 DS 51.5	1	1.5	3	PT2"	266	200	168	98	130	115	450	96	-	120	10	6 m	25 kg
	50 DS 52.2	2	2.2	3	50	433	245	313	120	235	198	619	-	180	160	10	10 m	55 kg
	50 DS 53.7	2	3.7	3	50	433	245	313	120	235	198	619	-	180	160	10	10 m	61 kg
65	65 DS 51.5	2	1.5	3	65	407	210	303	104	215	197	503	-	150	120	10	6 m	35 kg
80	80 DS 52.2	2	2.2	3	80	503	268	368	135	275	215	625	-	200	160	10	10m	59 kg
	80 DS 53.7	2	3.7	3	80	503	268	368	135	275	215	625	-	200	160	10	10m	64 kg
100	100 DS 55.5	2	5.5	3	100	615	309	460	155	355	257	730	-	250	200	13	10m	92 kg
	100 DS 57.5	2	7.5	3	100	615	309	460	155	355	257	730	-	250	200	13	10m	104 kg

Units: mm unless otherwise specified

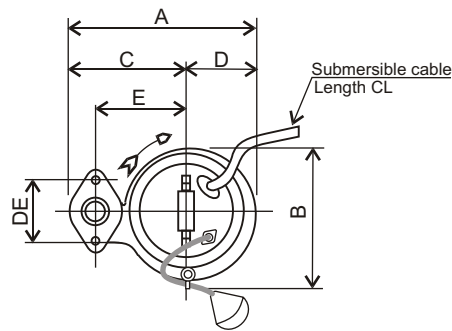


Figure 1

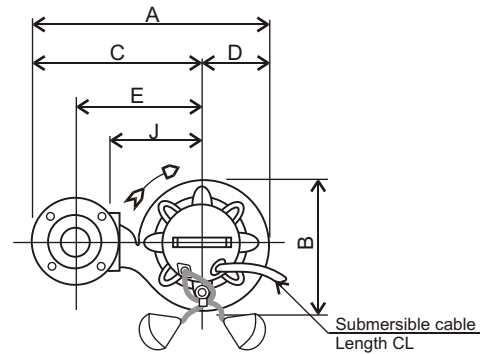
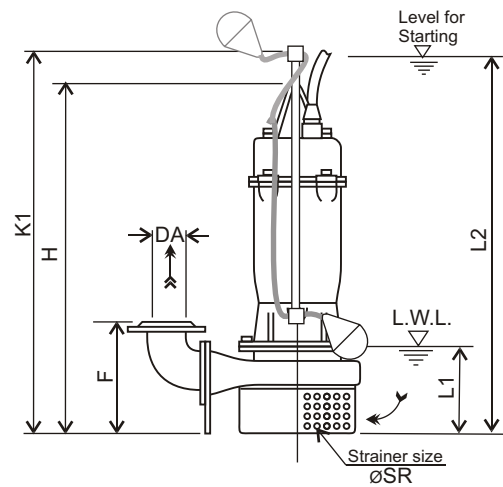
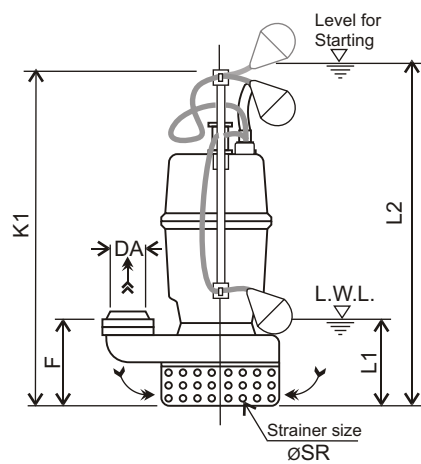


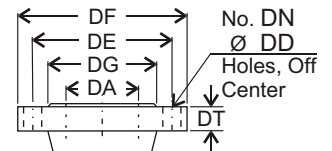
Figure 2



Note:

- 1/. L.W.L (Low Water Level)
Is limited to 10 minutes operation at low water level.
- 2/. Is limited to 30 minutes operation with water level below top of motor.

Discharge Flange Dimensions
(JIS 10kgf/cm²)



DA	DE	DF	DG	DT	DN	DD
50	120	155	96	18	4	15
65	140	175	116	18	4	15
80	150	185	126	18	8	15

Size	Model	Fig.	Output kW	Phase	DA	A	B	C	D	E	F	H	DE	J	K1	L1	L2	ØSR	CL	Weight
50	50 DSA 5.4T	1	0.4	3	PT2"	260	200	168	92	130	99	-	96	-	530	150	490	8	6 m	17 kg
	50 DSA 5.75T	1	0.75	3	PT2"	260	200	168	92	130	99	-	96	-	530	150	490	8	6 m	18 kg
	50 DSA 51.5	1	1.5	3	PT2"	266	207	168	98	130	115	-	96	-	530	150	490	10	6 m	26 kg
	50 DSA 52.2	2	2.2	3	50	433	248	313	120	235	198	693	-	180	800	270	760	10	10 m	61 kg
	50 DSA 53.7	2	3.7	3	50	433	248	313	120	235	198	693	-	180	800	270	760	10	10 m	67 kg
65	65 DSA 51.5	2	1.5	3	65	407	210	303	104	215	197	577	-	150	530	150	490	10	6 m	36 kg
80	80 DSA 52.2	2	2.2	3	80	503	268	368	135	275	215	699	-	200	800	270	760	10	10m	65 kg
	80 DSA 53.7	2	3.7	3	80	503	268	368	135	275	215	699	-	200	800	270	760	10	10m	70 kg

Units: mm unless otherwise specified

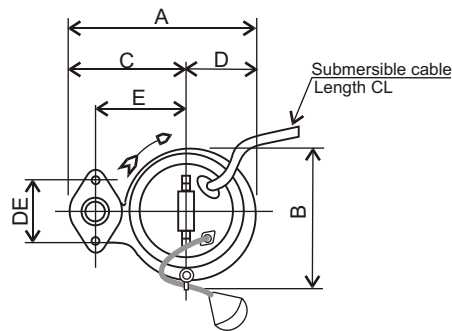


Figure 1

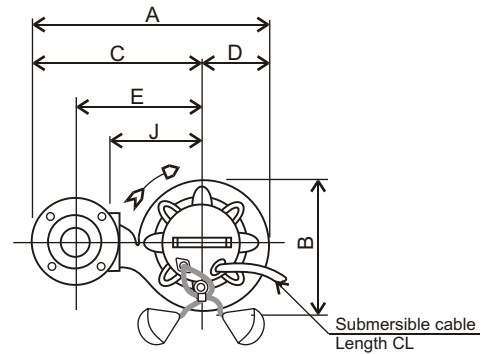
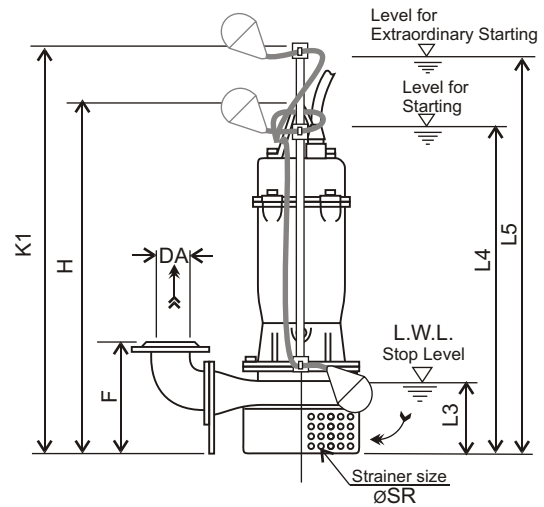
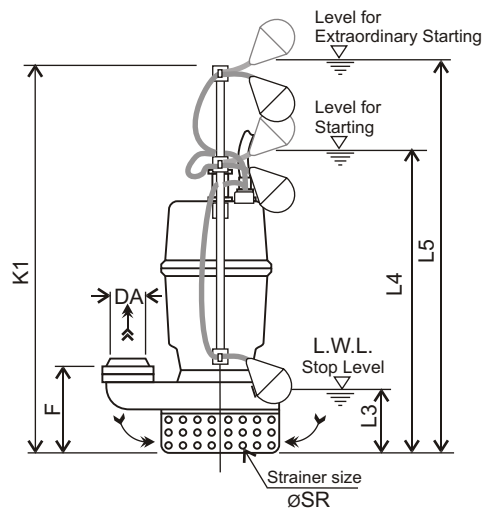


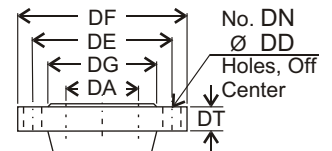
Figure 2



Note:

- 1/. L.W.L (Low Water Level)
Is limited to 10 minutes operation at low water level.
- 2/. Is limited to 30 minutes operation with water level below top of motor.

Discharge Flange Dimensions
(JIS 10kgf/cm²)



DA	DE	DF	DG	DT	DN	DD
50	120	155	96	18	4	15
65	140	175	116	18	4	15
80	150	185	126	18	8	15

Size	Model	Fig.	Output kW	Phase	DA	A	B	C	D	E	F	H	DE	J	K1	L3	L4	L5	ØSR	CL	Weight
50	50 DSJ 5.4T	1	0.4	3	PT2"	260	200	168	92	130	99	-	96	-	640	120	410	600	8	6 m	17 kg
	50 DSJ 5.75T	1	0.75	3	PT2"	260	200	168	92	130	99	-	96	-	640	120	410	600	8	6 m	18 kg
	50 DSJ 51.5	1	1.5	3	PT2"	266	207	168	98	130	115	-	96	-	640	120	410	600	10	6 m	27 kg
	50 DSJ 52.2	2	2.2	3	50	433	248	313	120	235	198	693	-	180	910	240	680	870	10	10 m	62 kg
	50 DSJ 53.7	2	3.7	3	50	433	248	313	120	235	198	693	-	180	910	240	680	870	10	10 m	67 kg
65	65 DSJ 51.5	2	1.5	3	65	407	210	303	104	215	197	577	-	150	640	120	410	600	10	6 m	36 kg
80	80 DSJ 52.2	2	2.2	3	80	503	268	368	135	275	215	699	-	200	910	240	680	870	10	10m	65 kg
	80 DSJ 53.7	2	3.7	3	80	503	268	368	135	275	215	699	-	200	910	240	680	870	10	10m	70 kg

Units: mm unless otherwise specified

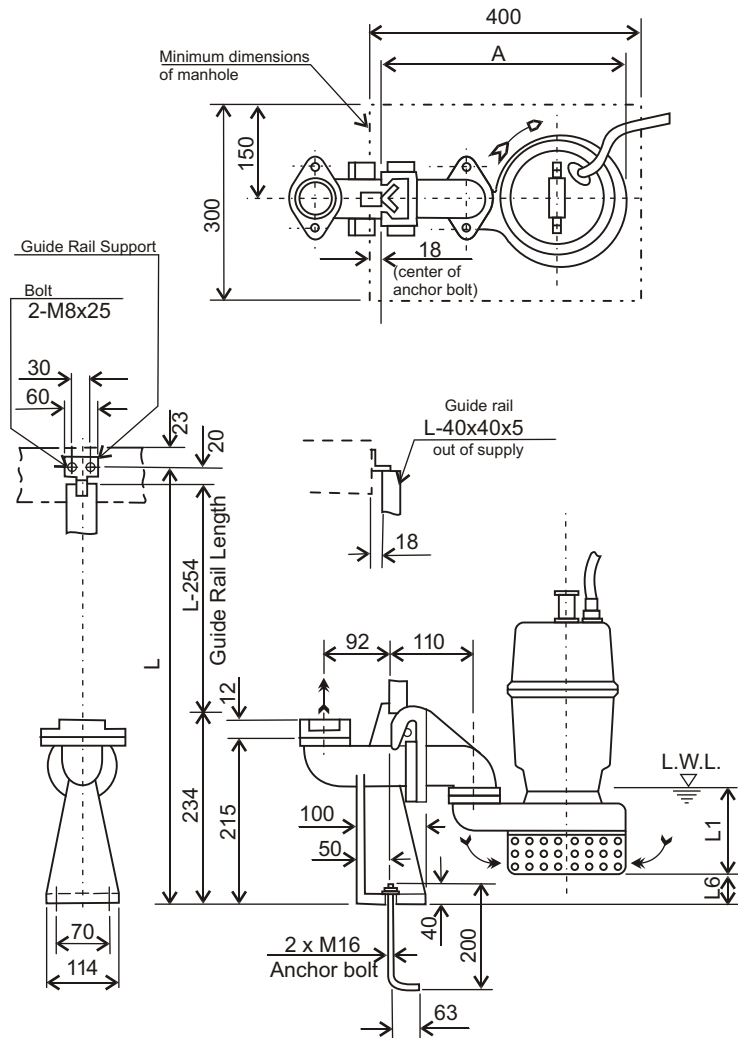
Ebara Submersible Sump Pumps

Model **DS**

Dimensions with QDC

Pump **DS** QDC **LS**

Applicable Models - 50 DS up to 1.5 kW



Note:

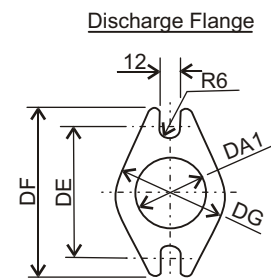
1/. For detailed dimensions of the pumps, refer to separate dimension data sheets.

2/. The companion flange supplied with the pump are used with the QDC.

3/. The weight in dimension tables refers only to the weight of the QDC.

4/. Standard accessories supplied with QDC include:-

- Connector body with foundation bolts.
 - Guide rail support
 - Adaptor Flange
- Guide Rail is not supplied.



Pump Model	A	DA1	DE	DF	DG	L1	L6	QDC Model	Weight
50 DS 5.4T	332	50	96	114	76	110	41	LS50	9 kg
50 DS 5.75T	332	50	96	114	76	110	41	LS50	9 kg
50 DS 51.5	338	50	96	114	76	120	25	LS50	9 kg

Units: mm unless otherwise specified

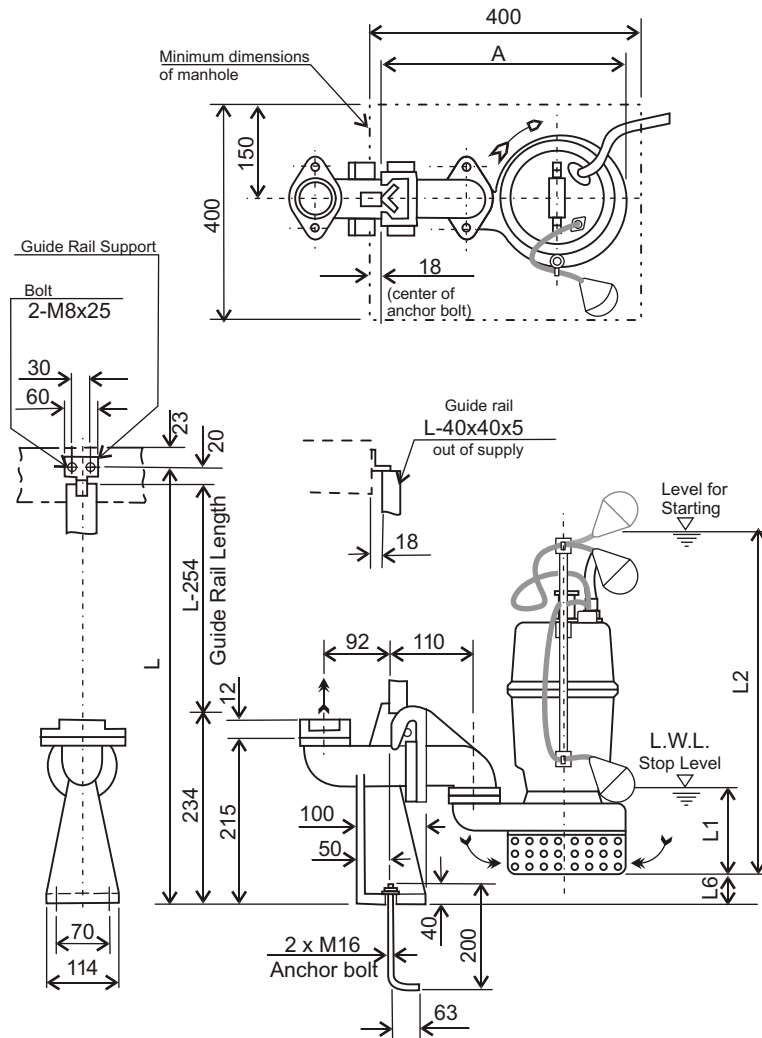
Ebara Submersible Sump Pumps

Model **DS**

Dimensions with QDC

Pump **DSA** QDC **LS**

Applicable Models - 50 DSA up to 1.5 kW



Note:

1/. For detailed dimensions of the pumps, refer to separate dimension data sheets.

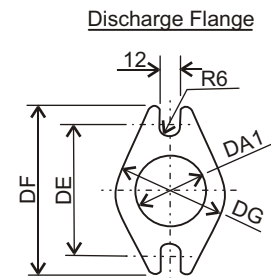
2/. The companion flange supplied with the pump are used with the QDC.

3/. The weight in dimension tables refers only to the weight of the QDC.

4/. Standard accessories supplied with QDC include:-

- Connector body with foundation bolts.
- Guide rail support
- Adaptor Flange

Guide Rail is not supplied.



Pump Model	A	DA1	DE	DF	DG	L1	L2	L6	QDC Model	Weight
50 DSA 5.4T	332	50	96	114	76	150	490	41	LS50	9 kg
50 DSA 5.75T	332	50	96	114	76	150	490	41	LS50	9 kg
50 DSA 51.5	338	50	96	114	76	150	490	25	LS50	9 kg

Units: mm unless otherwise specified

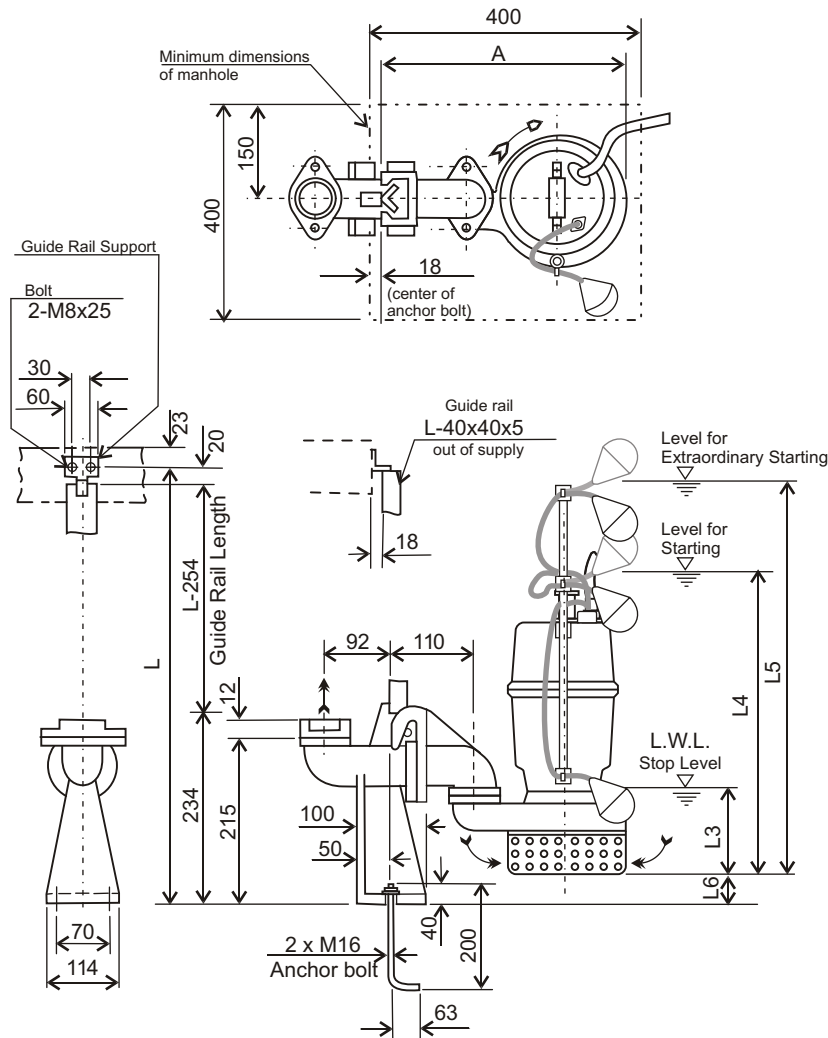
Ebara Submersible Sump Pumps

Model **DS**

Dimensions with QDC

Pump **DSJ** QDC **LS**

Applicable Models - 50 DSJ up to 1.5 kW



Note:

1/. For detailed dimensions of the pumps, refer to separate dimension data sheets.

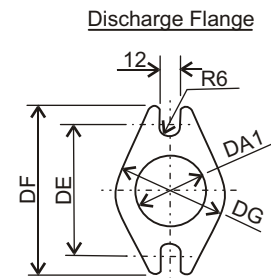
2/. The companion flange supplied with the pump are used with the QDC.

3/. The weight in dimension tables refers only to the weight of the QDC.

4/. Standard accessories supplied with QDC include:-

- Connector body with foundation bolts.
- Guide rail support
- Adaptor Flange

Guide Rail is not supplied.



Pump Model	A	DA1	DE	DF	DG	L3	L4	L5	L6	QDC Model	Weight
50 DSJ 5.4T	332	50	96	114	76	120	410	600	41	LS50	9 kg
50 DSJ 5.75T	332	50	96	114	76	120	410	600	41	LS50	9 kg
50 DSJ 51.5	338	50	96	114	76	120	410	600	25	LS50	9 kg

Units: mm unless otherwise specified

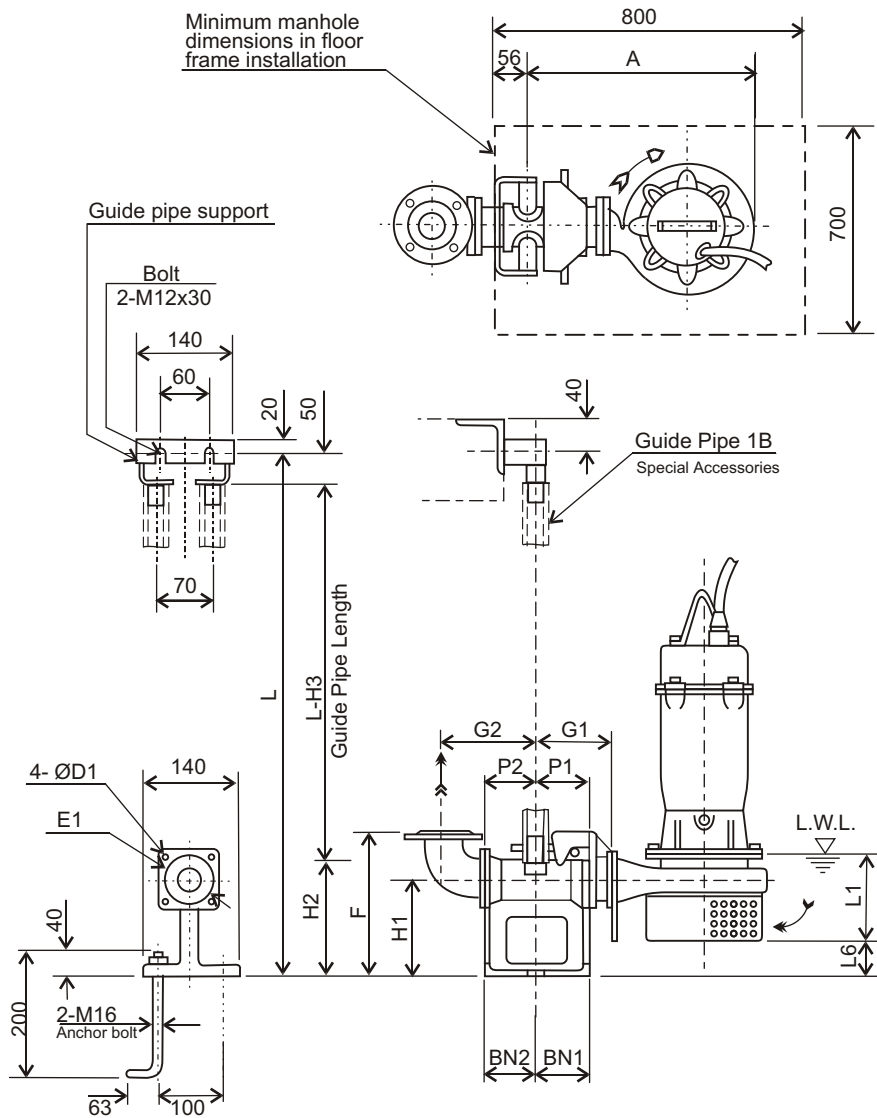
Ebara Submersible Sump Pumps

Model **DS**

Dimensions with QDC

Pump **DS** QDC **LM**

Applicable Models - 50 DS (2.2 & 3.7 kW), 65 DS, 80 DS



Note:

1/. For detailed dimensions of the pumps, refer to separate dimension data sheets.

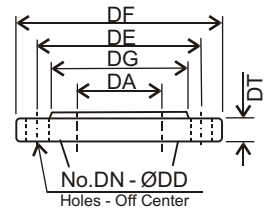
2/. The discharge bend and companion flange supplied with the pump are used with the QDC.

3/. The weight in dimension tables refers only to the weight of the QDC.

4/. Standard accessories supplied with QDC include:-

- Connector body with foundation bolts.
 - Guide pipe support
 - Sliding Glide
 - Adaptor Flange
- Guide Pipe is not supplied.

Discharge Flange
(JIS 10kgf/cm²)



DA	DE	DF	DG	DT	DN	DD
50	120	155	96	18	4	15
65	140	175	116	18	4	15
80	150	185	126	18	8	15

Pump Model	A	P1	P2	G1	G2	F	H1	H2	H3	L1	L6	BN1	BN2	D1	E1	QDC Model	Weight
50 DS 52.2	415	75	80	115	135	230	135	165	215	160	32	75	80	12	120	LM50	11 kg
50 DS 53.7	415	75	80	115	135	230	135	165	215	160	32	75	80	12	120	LM50	11 kg
65 DS 51.5	374	75	95	120	160	250	145	190	240	120	53	75	95	12	140	LM65	14 kg
80 DS 52.2	460	75	90	125	165	285	175	230	280	160	70	75	90	15	155	LM80	17 kg
80 DS 53.7	460	75	90	125	165	285	175	230	280	160	70	75	90	15	155	LM80	17 kg

Units: mm unless otherwise specified

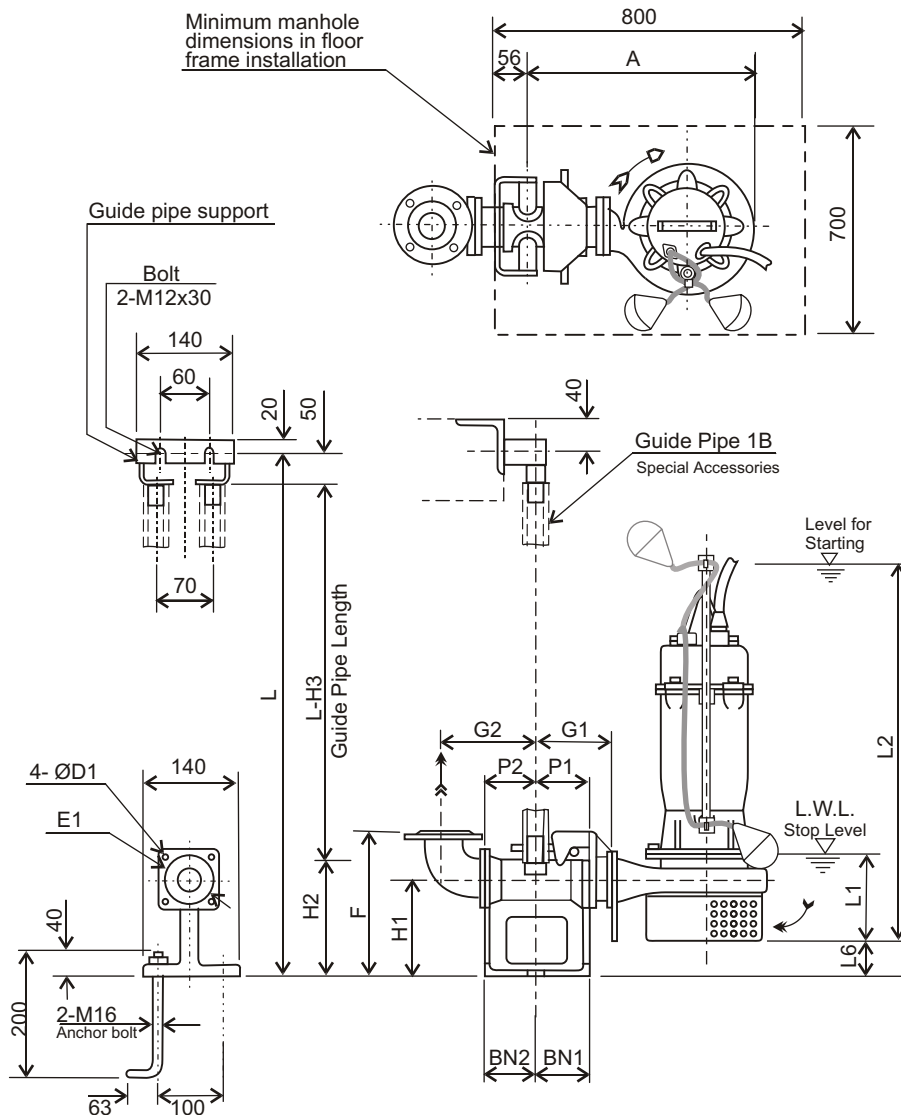
Ebara Submersible Sump Pumps

Model **DS**

Dimensions with QDC

Pump **DSA** QDC **LM**

Applicable Models - 50 DSA (2.2 & 3.7 kW), 65 DSA, 80 DSA



Note:

1/ For detailed dimensions of the pumps, refer to separate dimension data sheets.

2/ The discharge bend and companion flange supplied with the pump are used with the QDC.

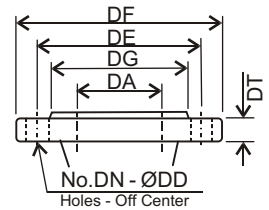
3/ The weight in dimension tables refers only to the weight of the QDC.

4/ Standard accessories supplied with QDC include:-

- Connector body with foundation bolts.
- Guide pipe support
- Sliding Glide
- Adaptor Flange

Guide Pipe is not supplied.

Discharge Flange
(JIS 10kgf/cm²)



DA	DE	DF	DG	DT	DN	DD
50	120	155	96	18	4	15
65	140	175	116	18	4	15
80	150	185	126	18	8	15

Pump Model	A	P1	P2	G1	G2	F	H1	H2	H3	L1	L2	L6	BN1	BN2	D1	E1	QDC Model	Weight
50 DSA 52.2	415	75	80	115	135	230	135	165	215	270	760	32	75	80	12	120	LM50	11 kg
50 DSA 53.7	415	75	80	115	135	230	135	165	215	270	760	32	75	80	12	120	LM50	11 kg
65 DSA 51.5	374	75	95	120	160	250	145	190	240	150	490	53	75	95	12	140	LM65	14 kg
80 DSA 52.2	460	75	90	125	165	285	175	230	280	270	760	70	75	90	15	155	LM80	17 kg
80 DSA 53.7	460	75	90	125	165	285	175	230	280	270	760	70	75	90	15	155	LM80	17 kg

Units: mm unless otherwise specified

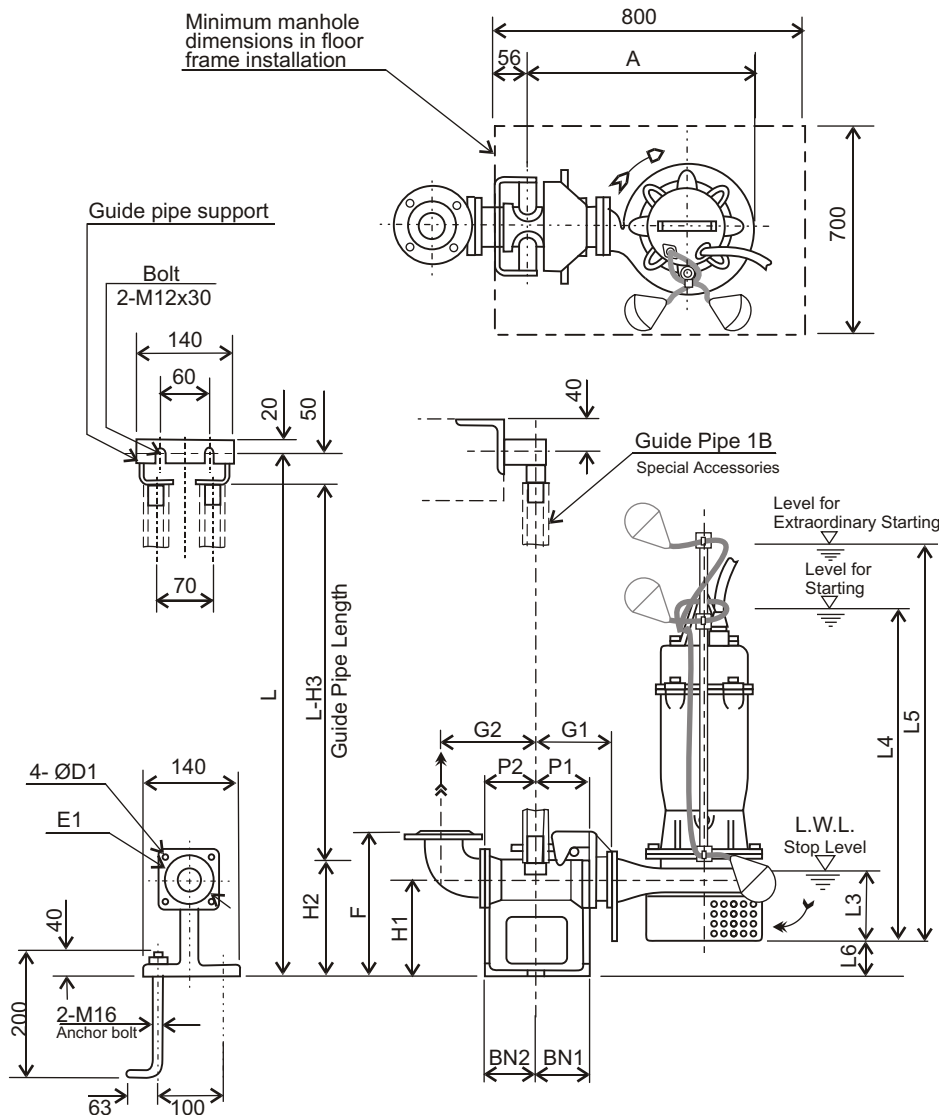
Ebara Submersible Sump Pumps

Model **DS**

Dimensions with QDC

Pump **DSJ** QDC **LM**

Applicable Models - 50 DSJ (2.2 & 3.7 kW), 65 DSJ, 80 DSJ



Note:

1/. For detailed dimensions of the pumps, refer to separate dimension data sheets.

2/. The discharge bend and companion flange supplied with the pump are used with the QDC.

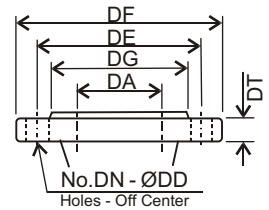
3/. The weight in dimension tables refers only to the weight of the QDC.

4/. Standard accessories supplied with QDC include:-

- Connector body with foundation bolts.
- Guide pipe support
- Sliding Glide
- Adaptor Flange

Guide Pipe is not supplied.

Discharge Flange
(JIS 10kgf/cm²)



DA	DE	DF	DG	DT	DN	DD
50	120	155	96	18	4	15
65	140	175	116	18	4	15
80	150	185	126	18	8	15

Pump Model	A	P1	P2	G1	G2	F	H1	H2	H3	L3	L4	L5	L6	BN1	BN2	D1	E1	QDC Model	Weight
50 DSJ 52.2	415	75	80	115	135	230	135	165	215	240	680	870	32	75	80	12	120	LM50	11 kg
50 DSJ 53.7	415	75	80	115	135	230	135	165	215	240	680	870	32	75	80	12	120	LM50	11 kg
65 DSJ 51.5	374	75	95	120	160	250	145	190	240	120	410	600	53	75	95	12	140	LM65	14 kg
80 DSJ 52.2	460	75	90	125	165	285	175	230	280	240	680	870	70	75	90	15	155	LM80	17 kg
80 DSJ 53.7	460	75	90	125	165	285	175	230	280	240	680	870	70	75	90	15	155	LM80	17 kg

Units: mm unless otherwise specified

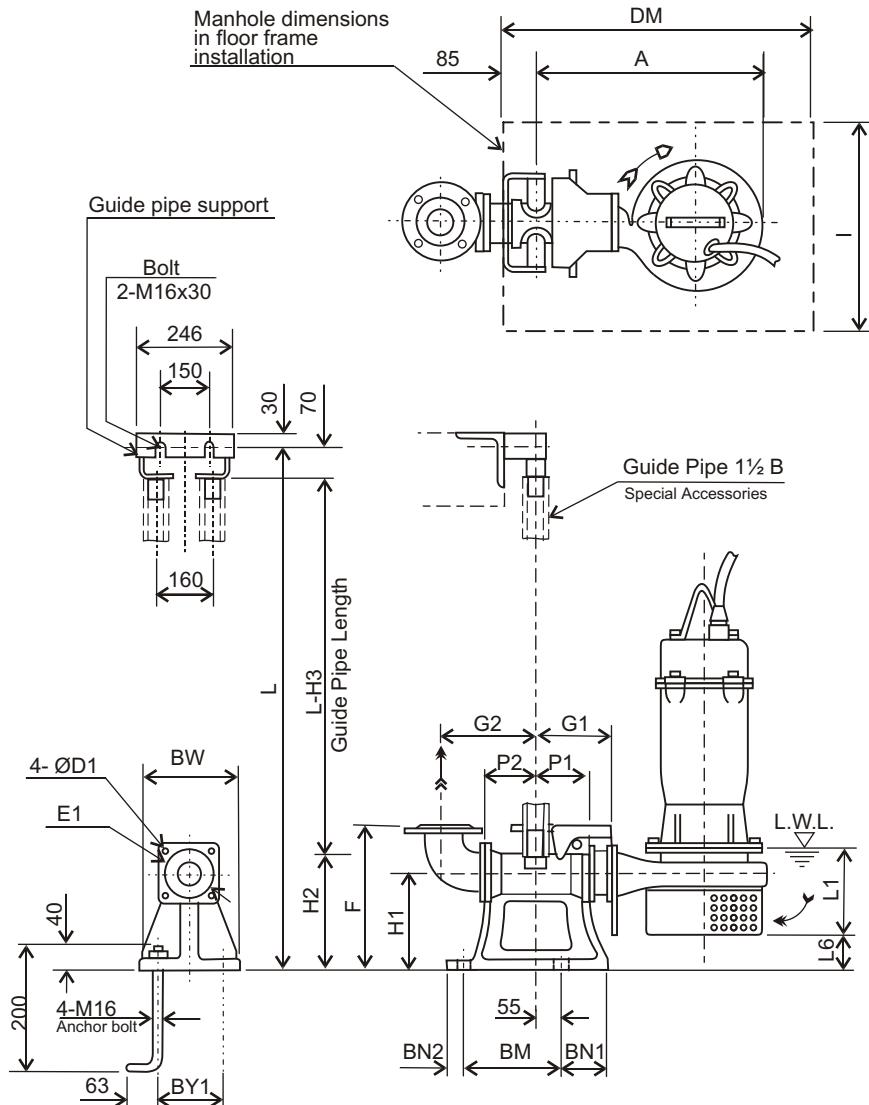
Ebara Submersible Sump Pumps

Model **DS**

Dimensions with QDC

Pump **DS** QDC **LL**

Applicable Models - 100 DS (5.5 & 7.5 kW)



Note:

1/. For detailed dimensions of the pumps, refer to separate dimension data sheets.

2/. The discharge bend and companion flange supplied with the pump are used with the QDC.

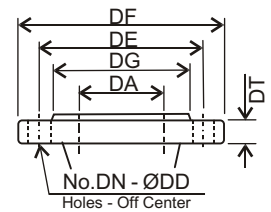
3/. The weight in dimension tables refers only to the weight of the QDC.

4/. Standard accessories supplied with QDC include:-

- Connector body with foundation bolts.
- Guide pipe support
- Sliding Glide
- Adaptor Flange

Guide Pipe is not supplied.

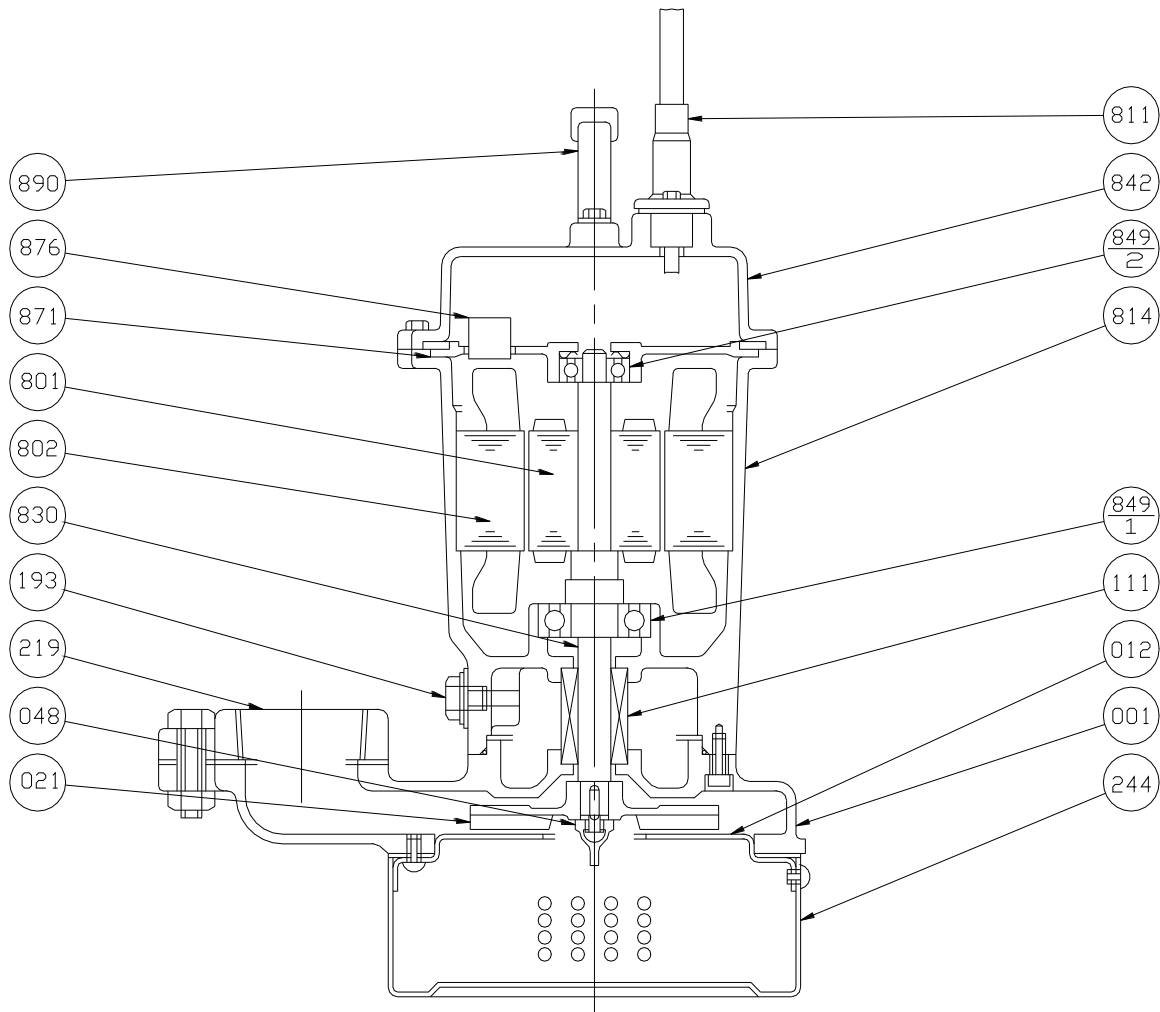
Discharge Flange
(JIS 10kgf/cm²)



DA	DE	DF	DG	DT	DN	DD
100	175	210	151	20	8	15

Pump Model	A	P1	P2	G1	G2	F	H1	H2	H3	L1	L6	BN1	BN2	BM	BY1	BW	DM	I	D1	E1	QDC Model	Weight
100 DS 55.5	590	105	105	185	210	365	240	265	335	200	108	100	40	220	180	230	800	700	19	175	LL100	46 kg
100 DS 57.5	590	105	105	185	210	365	240	265	335	200	108	100	40	220	180	230	800	700	19	175	LL100	46 kg

Units: mm unless otherwise specified

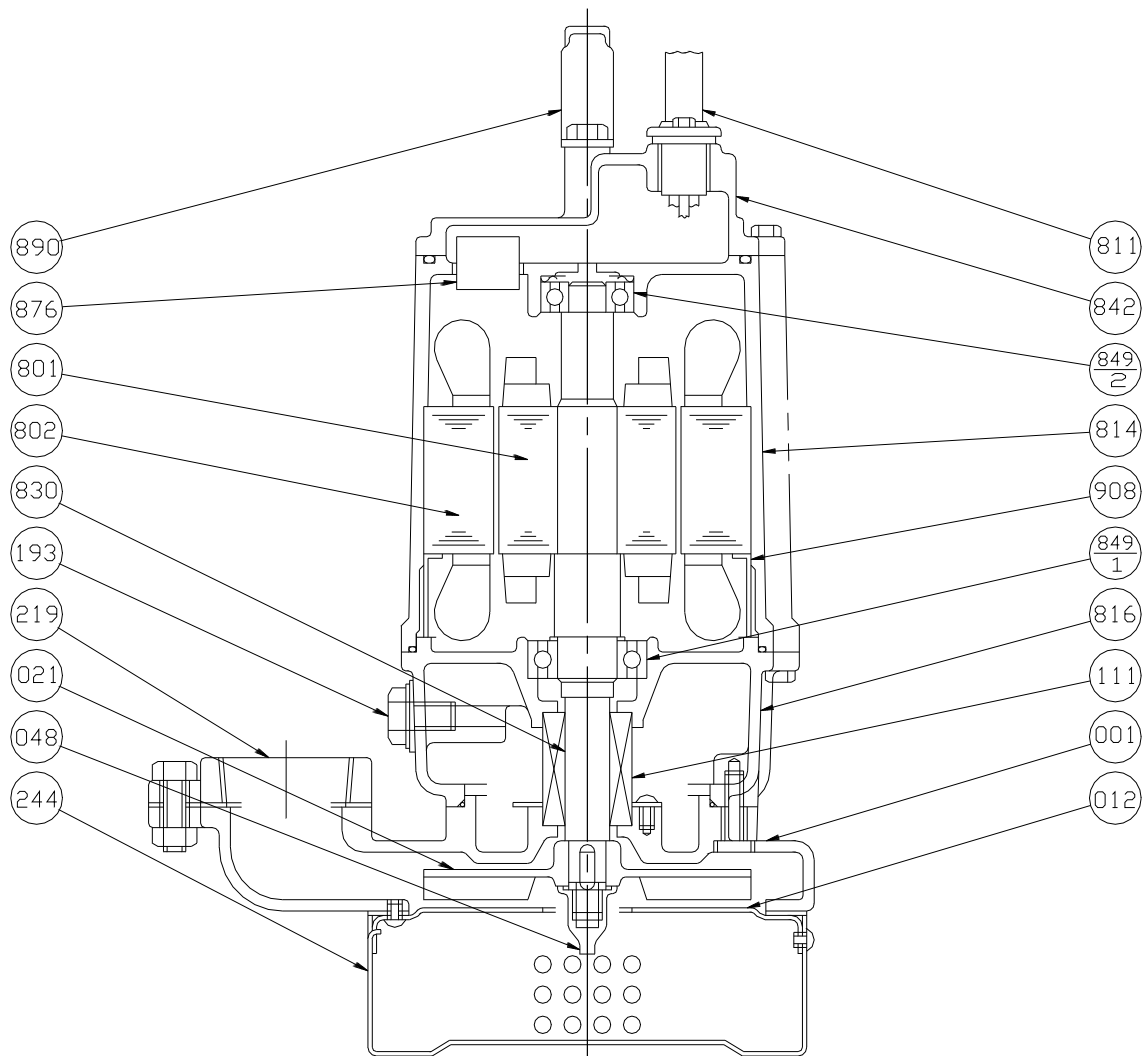


Item Number	Description	Material	Quantity per unit
001	Pump Casing	FC200 Cast iron	1
012	Suction Cover	SUS304 Stainless Steel	1
021	Impeller	FC200 Cast iron	1
048	Impeller Nut	C3771 Brass	1
111	Mechanical Seal		1
193	Oil Plug	C3604 or SUS Brass or Stainless Steel	1
219	Companion Flange	FC200 Cast iron	1
244	Strainer	SPCC Steel	1
801	Rotor		1
802	Stator		1

Item Number	Description	Material	Quantity per unit
811	Submersible Cable		1
814	Motor Frame	FC150 Cast Iron	1
830	Shaft	SUS403 Stainless Steel	1
842	Motor Cover	FC150 Cast Iron	1
849-1	Ball Bearing		1
849-2	Ball Bearing		1
871	Intermediate Bracket	FC150 Cast Iron	1
876	Protector		1
890	Handle	SUS Stainless Steel	1

Sectional View - 50 DS 51.5

50Hz



Item Number	Description	Material	Quantity per unit
001	Pump Casing	FC200 Cast iron	1
012	Suction Cover	SUS304 Stainless Steel	1
021	Impeller	FC200 Cast iron	1
048	Impeller Nut	C3771 Brass	1
111	Mechanical Seal		1
193	Oil Plug	C3604 or SUS Brass or Stainless Steel	1
219	Companion Flange	FC200 Cast iron	1
244	Strainer	SPCC Steel	1
801	Rotor		1
802	Stator		1

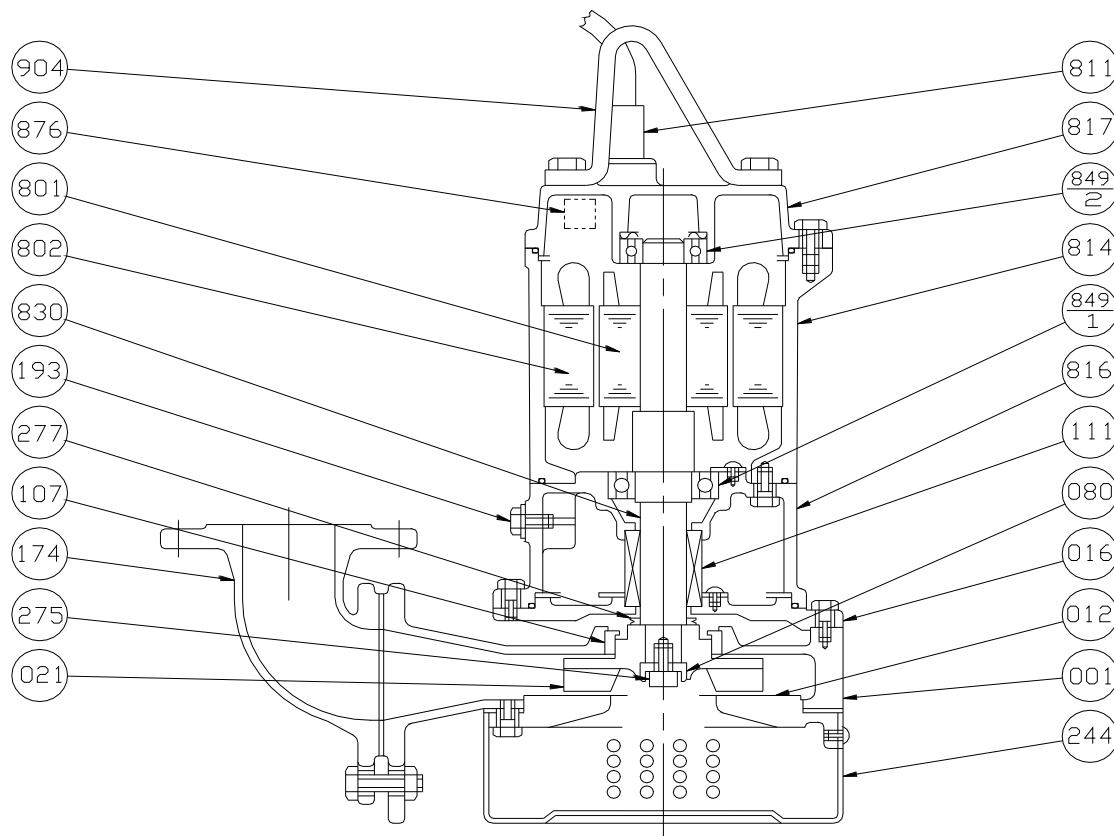
Item Number	Description	Material	Quantity per unit
811	Submersible Cable		1
814	Motor Frame	FC150 Cast Iron	1
816	Power Side Bracket	FC150 Cast Iron	1
830	Shaft	SUS403 Stainless Steel	1
842	Motor Cover	FC150 Cast Iron	1
849-1	Ball Bearing		1
849-2	Ball Bearing		1
876	Protector		1
890	Handle	SUS Stainless Steel	1
908	Spacer	SS Steel	1

Ebara Submersible Sump Pumps

Model **DS**

Sectional View - 50(80) DS 52.2 & 53.7 & 100 DS 55.5 & 57.5

50Hz

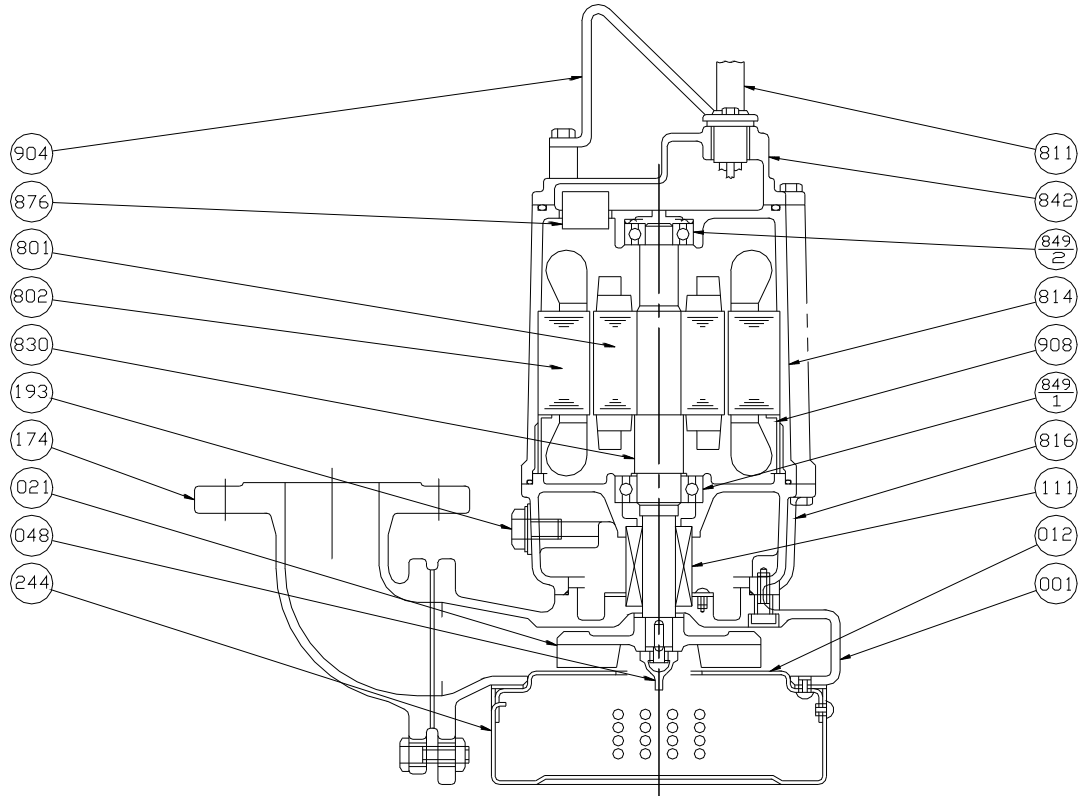


Item Number	Description	Material	Quantity per unit
001	Pump Casing	FC200 Cast iron	1
012	Suction Cover	FC200 Cast Iron	1
016	Mechanical Seal Cover	FC200 Cast iron	1
021	Impeller	FCD400 Graphite Cast Iron	1
080	Bushing	SS Steel	1
107	Casing Ring	SUS Stainless Steel	1
111	Mechanical Seal		1
174	Discharge Bend	FC200 Cast iron	1
193	Oil Plug	SUS304 Stainless Steel	1
244	Strainer	SPCC Steel	1
275	Impeller Bolt	SUS304 Stainless Steel	1
277	V Ring	NBR Rubber	1

Item Number	Description	Material	Quantity per unit
801	Rotor		1
802	Stator		1
811	Submersible Cable		1
814	Motor Frame	FC150 Cast Iron	1
816	Power Side Bracket	FC150 Cast Iron	1
817	Opposite Side Bracket	FC150 Cast Iron	1
830	Shaft	SUS403 Stainless Steel	1
849-1	Ball Bearing		1
849-2	Ball Bearing		1
876	Protector		1
904	Lifting Handle	SS Steel	1

Sectional View - 65 DS 51.5

50Hz

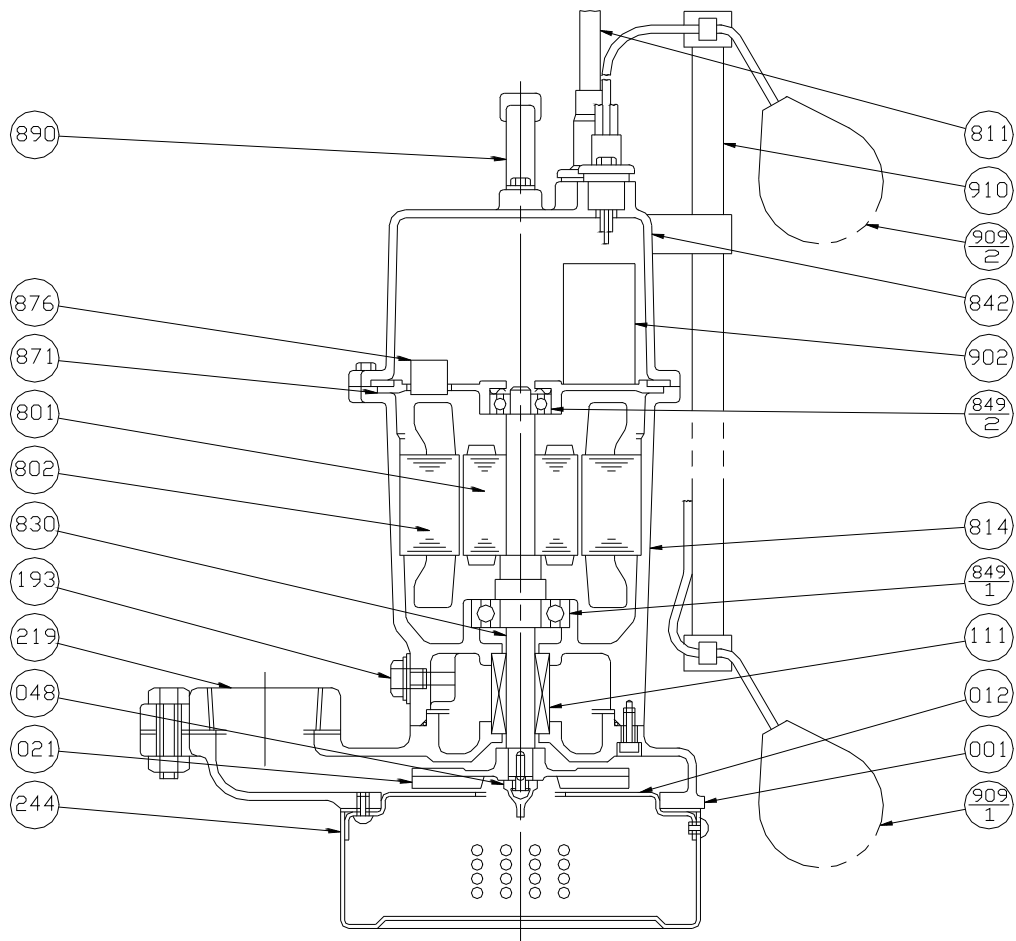


Item Number	Description	Material	Quantity per unit
001	Pump Casing	FC200 Cast iron	1
012	Suction Cover	SUS304 Stainless Steel	1
021	Impeller	FCD400 Graphite Cast Iron	1
048	Impeller Nut	C3771 Brass	1
111	Mechanical Seal		1
174	Discharge Bend	FC200 Cast iron	1
193	Oil Plug	SUS304 Stainless Steel	1
244	Strainer	SPCC Steel	1
801	Rotor		1
802	Stator		1

Item Number	Description	Material	Quantity per unit
811	Submersible Cable		1
814	Motor Frame	FC150 Cast Iron	1
816	Power Side Bracket	FC150 Cast Iron	1
830	Shaft	SUS403 Stainless Steel	1
842	Motor Cover	FC150 Cast Iron	1
849-1	Ball Bearing		1
849-2	Ball Bearing		1
876	Protector		1
904	Lifting Handle	SS Steel	1
908	Spacer	SS Steel	1

Sectional View - 50 DSA 5.4T, 5.75T

50Hz

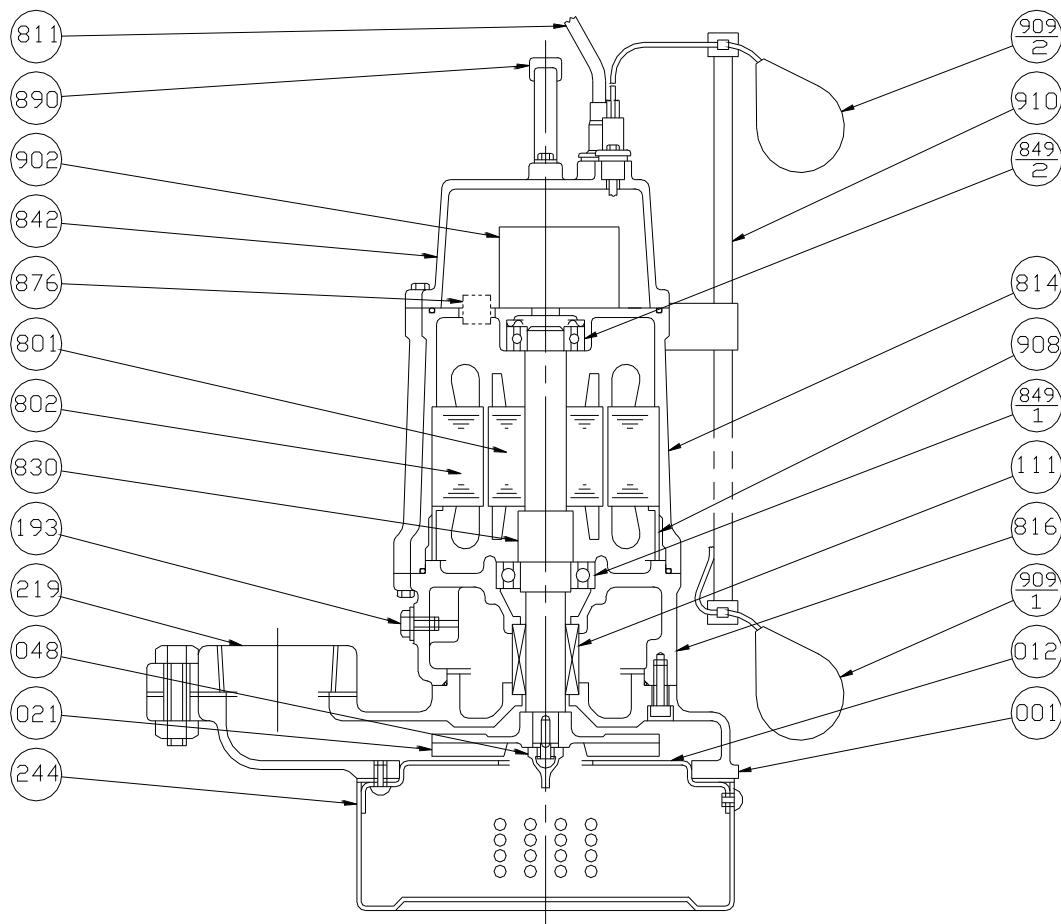


Item Number	Description	Material	Quantity per unit
001	Pump Casing	FC200 Cast iron	1
012	Suction Cover	SUS304 Stainless Steel	1
021	Impeller	FC200 Cast iron	1
048	Impeller Nut	C3771 Brass	1
111	Mechanical Seal		1
193	Oil Plug	C3604 or SUS Brass or Stainless Steel	1
219	Companion Flange	FC200 Cast iron	1
244	Strainer	SPCC Steel	1
801	Rotor		1
802	Stator		1
811	Submersible Cable		1
814	Motor Frame	FC150 Cast Iron	1

Item Number	Description	Material	Quantity per unit
830	Shaft	SUS403 Stainless Steel	1
842	Motor Cover	FC150 Cast Iron	1
849-1	Ball Bearing		1
849-2	Ball Bearing		1
871	Intermediate Bracket	FC150 Cast Iron	1
876	Protector		1
890	Handle	SUS Stainless Steel	1
902	Control Device		1
909-1	Float Switch		1
909-2	Float Switch		1
910	Float Pole	Plastics	1

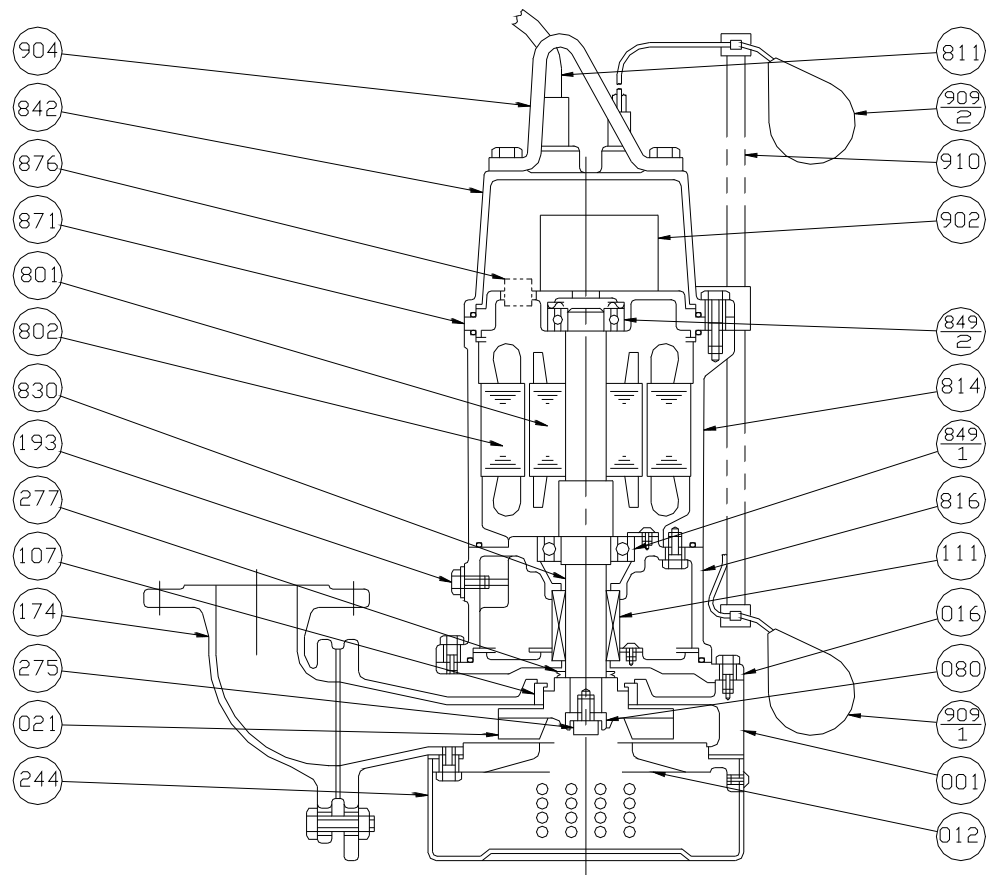
Sectional View - 50 DSA 51.5

50Hz



Item Number	Description	Material	Quantity per unit
001	Pump Casing	FC200 Cast iron	1
012	Suction Cover	SUS304 Stainless Steel	1
021	Impeller	FC200 Cast iron	1
048	Impeller Nut	C3771 Brass	1
111	Mechanical Seal		1
193	Oil Plug	C3604 or SUS Brass or Stainless Steel	1
219	Companion Flange	FC200 Cast iron	1
244	Strainer	SPCC Steel	1
801	Rotor		1
802	Stator		1
811	Submersible Cable		1
814	Motor Frame	FC150 Cast Iron	1

Item Number	Description	Material	Quantity per unit
816	Power Side Bracket	FC150 Cast Iron	1
830	Shaft	SUS403 Stainless Steel	1
842	Motor Cover	FC150 Cast Iron	1
849-1	Ball Bearing		1
849-2	Ball Bearing		1
876	Protector		1
890	Handle	SUS Stainless Steel	1
902	Control Device		1
908	Spacer	SS Steel	1
909-1	Float Switch		1
909-2	Float Switch		1
910	Float Pole	Plastics	1

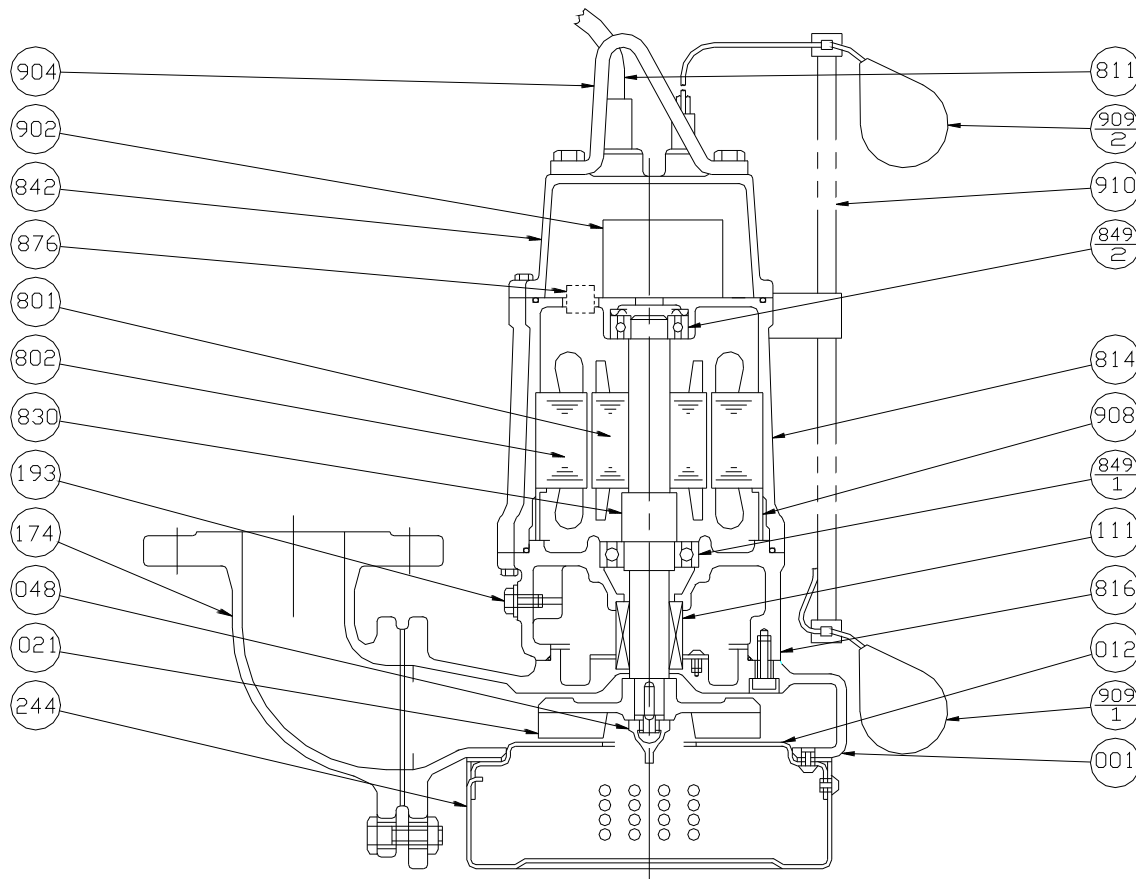


Item Number	Description	Material	Quantity per unit
001	Pump Casing	FC200 Cast iron	1
012	Suction Cover	FC200 Cast Iron	1
016	Mechanical Seal Cover	FC200 Cast iron	1
021	Impeller	FCD400 Graphite Cast Iron	1
080	Bushing	SS Steel	1
107	Casing Ring	SUS Stainless Steel	1
111	Mechanical Seal		1
174	Discharge Bend	FC200 Cast iron	1
193	Oil Plug	SUS304 Stainless Steel	1
244	Strainer	SPCC Steel	1
275	Impeller Bolt	SUS304 Stainless Steel	1
277	V Ring	NBR Rubber	1
801	Rotor		1
802	Stator		1

Item Number	Description	Material	Quantity per unit
811	Submersible Cable		1
814	Motor Frame	FC150 Cast Iron	1
816	Power Side Bracket	FC150 Cast Iron	1
830	Shaft	SUS403 Stainless Steel	1
842	Motor Cover	FC150 Cast Iron	1
849-1	Ball Bearing		1
849-2	Ball Bearing		1
871	Intermediate Bracket	FC150 Cast Iron	1
876	Protector		1
902	Control Device		1
904	Lifting Handle	SS Steel	1
909-1	Float Switch		1
909-2	Float Switch		1
910	Float Pole	Plastics	1

Sectional View - 65 DSA 51.5

50Hz

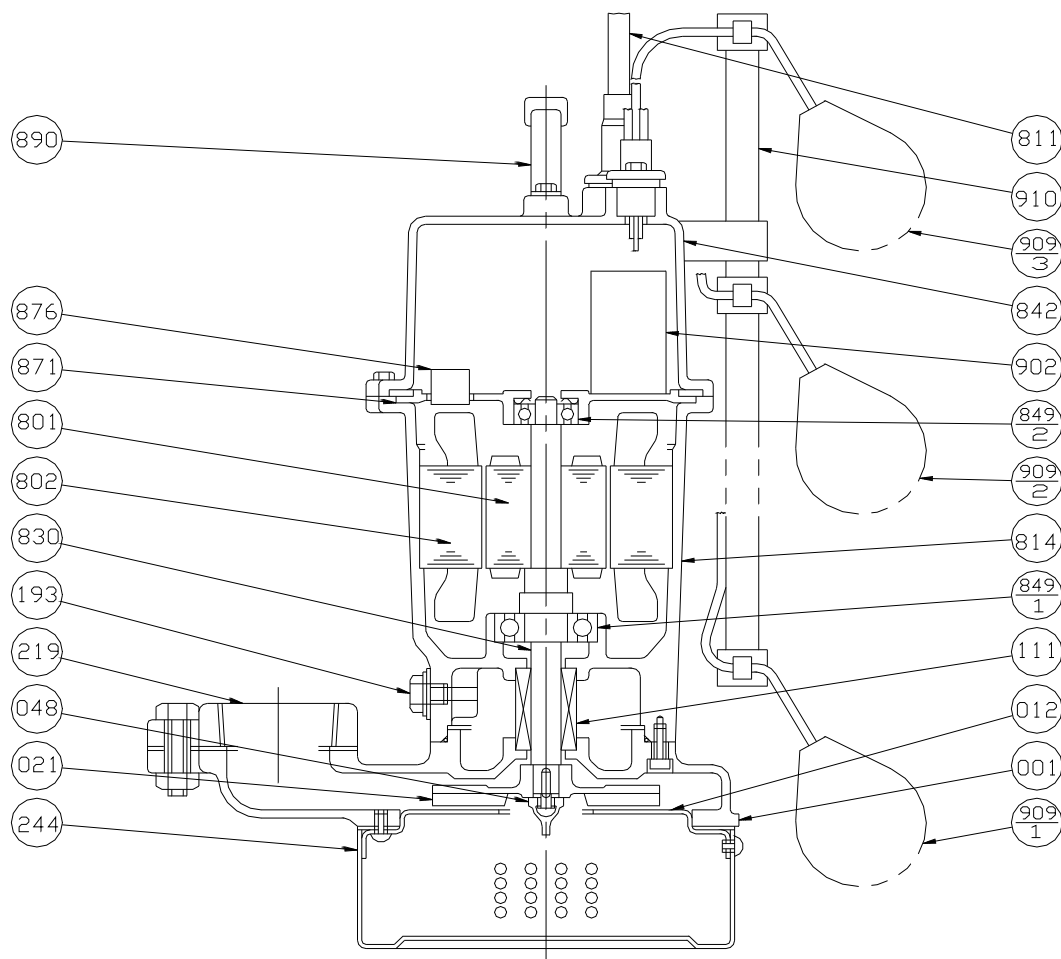


Item Number	Description	Material	Quantity per unit
001	Pump Casing	FC200 Cast iron	1
012	Suction Cover	SUS304 Stainless Steel	1
021	Impeller	FCD400 Graphite Cast Iron	1
048	Impeller Nut	C3771 Brass	1
111	Mechanical Seal		1
174	Discharge Bend	FC200 Cast iron	1
193	Oil Plug	SUS304 Stainless Steel	1
244	Strainer	SPCC Steel	1
801	Rotor		1
802	Stator		1
811	Submersible Cable		1
814	Motor Frame	FC150 Cast Iron	1

Item Number	Description	Material	Quantity per unit
816	Power Side Bracket	FC150 Cast Iron	1
830	Shaft	SUS403 Stainless Steel	1
842	Motor Cover	FC150 Cast Iron	1
849-1	Ball Bearing		1
849-2	Ball Bearing		1
876	Protector		1
902	Control Device		1
904	Lifting Handle	SS Steel	1
908	Spacer	SS Steel	1
909-1	Float Switch		1
909-2	Float Switch		1
910	Float Pole	Plastics	1

Sectional View - 50 DSJ 5.4T, 5.75T

50Hz

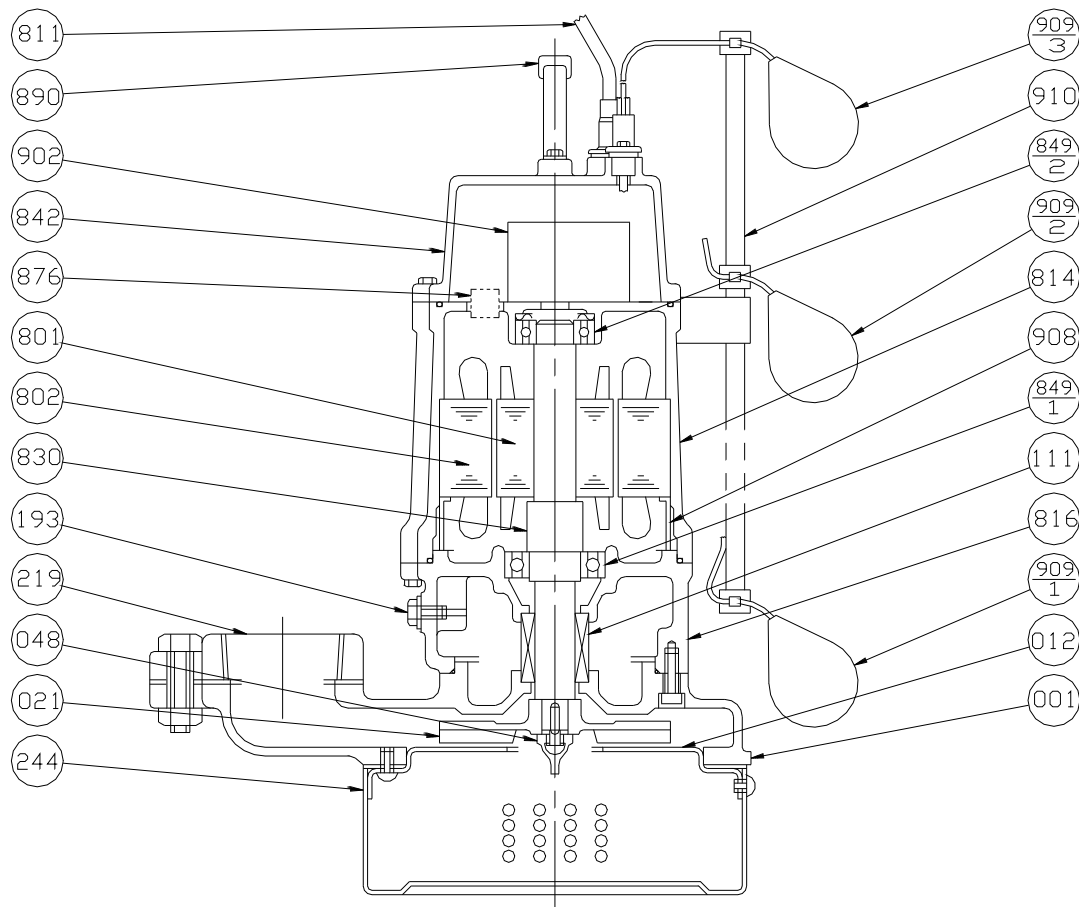


Item Number	Description	Material	Quantity per unit
001	Pump Casing	FC200 Cast iron	1
012	Suction Cover	SUS304 Stainless Steel	1
021	Impeller	FC200 Cast iron	1
048	Impeller Nut	C3771 Brass	1
111	Mechanical Seal		1
193	Oil Plug	C3604 or SUS Brass or Stainless Steel	1
219	Companion Flange	FC200 Cast iron	1
244	Strainer	SPCC Steel	1
801	Rotor		1
802	Stator		1
811	Submersible Cable		1
814	Motor Frame	FC150 Cast Iron	1

Item Number	Description	Material	Quantity per unit
830	Shaft	SUS403 Stainless Steel	1
842	Motor Cover	FC150 Cast Iron	1
849-1	Ball Bearing		1
849-2	Ball Bearing		1
871	Intermediate Bracket	FC150 Cast Iron	1
876	Protector		1
890	Handle	SUS Stainless Steel	1
902	Control Device		1
909-1	Float Switch		1
909-2	Float Switch		1
909-3	Float Switch		1
910	Float Pole	Plastics	1

Sectional View - 50 DSJ 51.5

50Hz

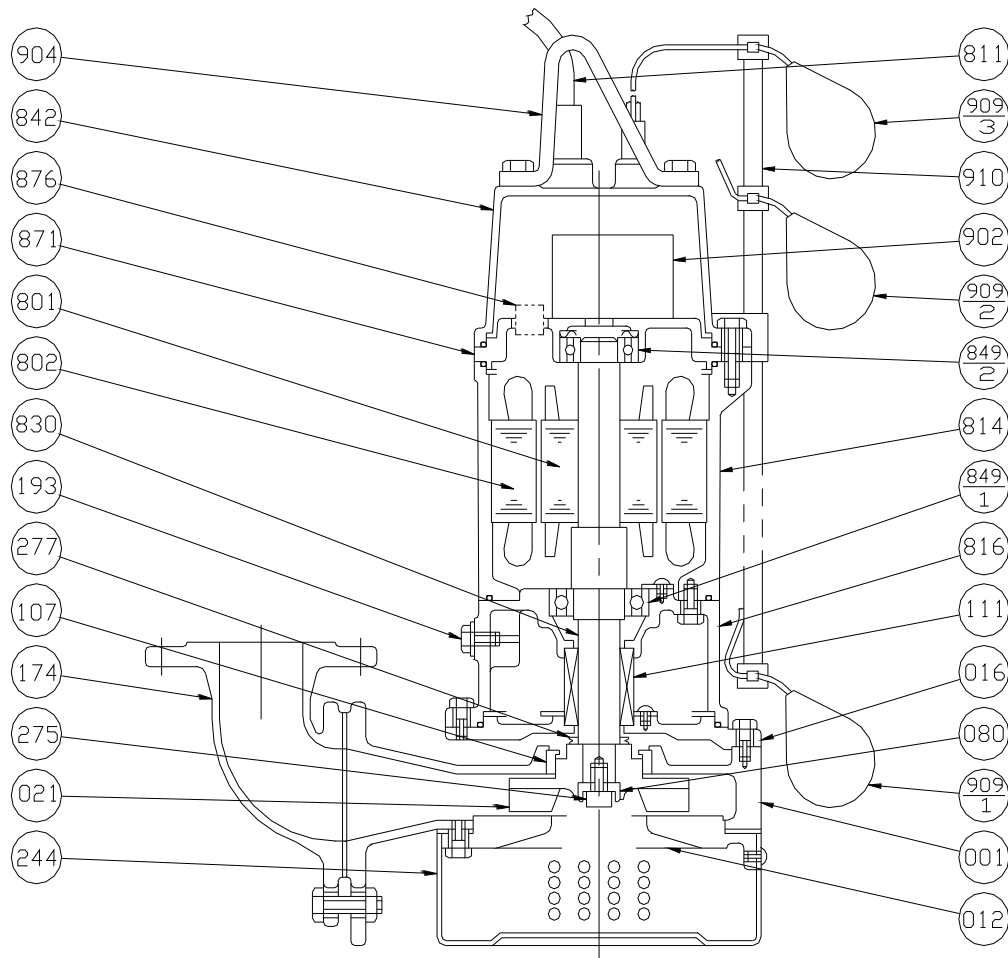


Item Number	Description	Material	Quantity per unit
001	Pump Casing	FC200 Cast iron	1
012	Suction Cover	SUS304 Stainless Steel	1
021	Impeller	FC200 Cast iron	1
048	Impeller Nut	C3771 Brass	1
111	Mechanical Seal		1
193	Oil Plug	C3604 or SUS Brass or Stainless Steel	1
219	Companion Flange	FC200 Cast iron	1
244	Strainer	SPCC Steel	1
801	Rotor		1
802	Stator		1
811	Submersible Cable		1
814	Motor Frame	FC150 Cast Iron	1

Item Number	Description	Material	Quantity per unit
816	Power Side Bracket	FC150 Cast Iron	1
830	Shaft	SUS403 Stainless Steel	1
842	Motor Cover	FC150 Cast Iron	1
849-1	Ball Bearing		1
849-2	Ball Bearing		1
876	Protector		1
890	Handle	SUS Stainless Steel	1
902	Control Device		1
908	Spacer	SS Steel	1
909-1	Float Switch		1
909-2	Float Switch		1
909-3	Float Switch		1
910	Float Pole	Plastics	1

Sectional View - 50(80) DSJ 52.2 & 53.7

50Hz

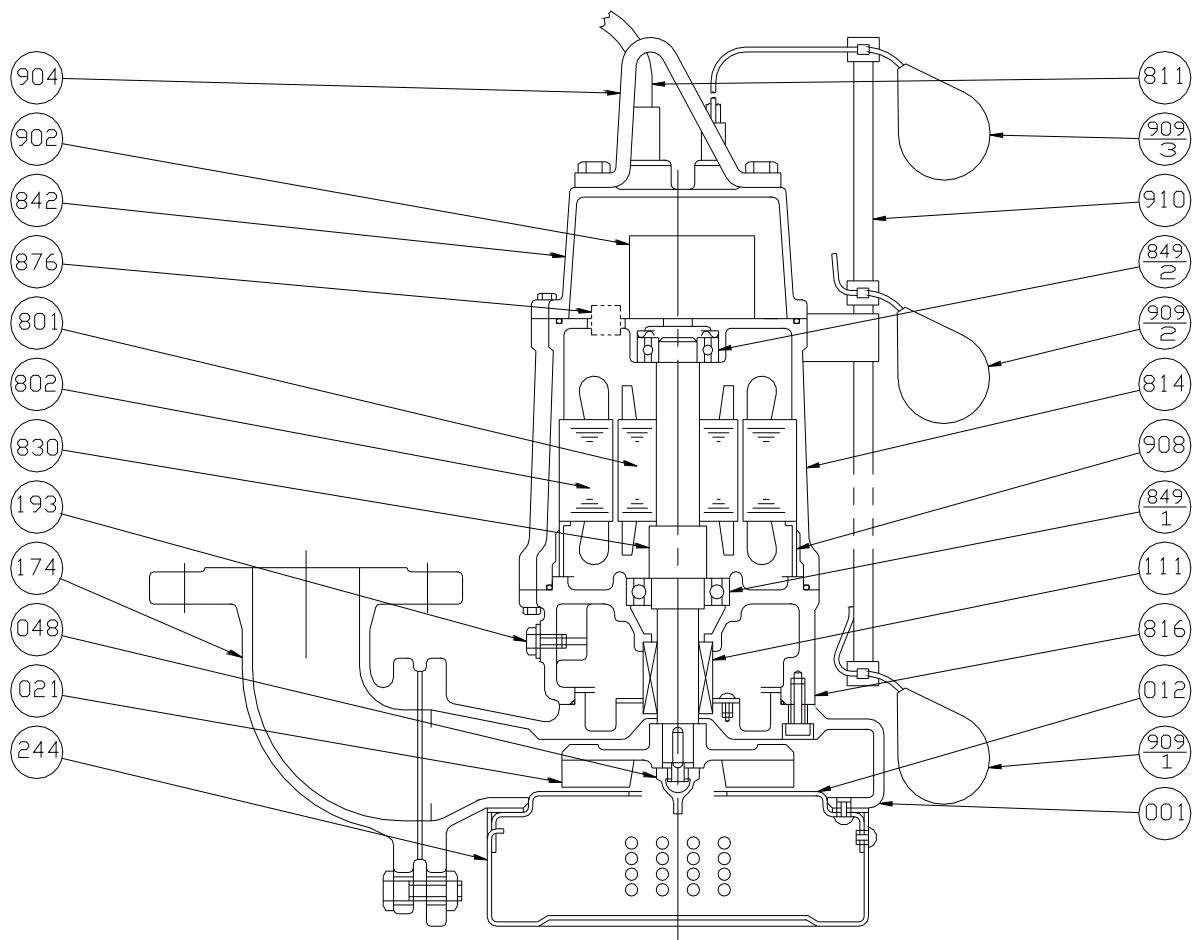


Item Number	Description	Material	Quantity per unit
001	Pump Casing	FC200 Cast iron	1
012	Suction Cover	FC200 Cast Iron	1
016	Mechanical Seal Cover	FC200 Cast iron	1
021	Impeller	FCD400 Graphite Cast Iron	1
080	Bushing	SS Steel	1
107	Casing Ring	SUS Stainless Steel	1
111	Mechanical Seal		1
174	Discharge Bend	FC200 Cast iron	1
193	Oil Plug	SUS304 Stainless Steel	1
244	Strainer	SPCC Steel	1
275	Impeller Bolt	SUS304 Stainless Steel	1
277	V Ring	NBR Rubber	1
801	Rotor		1
802	Stator		1

Item Number	Description	Material	Quantity per unit
811	Submersible Cable		1
814	Motor Frame	FC150 Cast Iron	1
816	Power Side Bracket	FC150 Cast Iron	1
830	Shaft	SUS403 Stainless Steel	1
842	Motor Cover	FC150 Cast Iron	1
849-1	Ball Bearing		1
849-2	Ball Bearing		1
871	Intermediate Bracket	FC150 Cast Iron	1
876	Protector		1
902	Control Device		1
904	Lifting Handle	SS Steel	1
909-1	Float Switch		1
909-2	Float Switch		1
909-3	Float Switch		1
910	Float Pole	Plastics	1

Sectional View - 65 DSJ 51.5

50Hz



Item Number	Description	Material	Quantity per unit
001	Pump Casing	FC200 Cast iron	1
012	Suction Cover	SUS304 Stainless Steel	1
021	Impeller	FCD400 Graphite Cast Iron	1
048	Impeller Nut	C3771 Brass	1
111	Mechanical Seal		1
174	Discharge Bend	FC200 Cast iron	1
193	Oil Plug	SUS304 Stainless Steel	1
244	Strainer	SPCC Steel	1
801	Rotor		1
802	Stator		1
811	Submersible Cable		1
814	Motor Frame	FC150 Cast Iron	1

Item Number	Description	Material	Quantity per unit
816	Power Side Bracket	FC150 Cast Iron	1
830	Shaft	SUS403 Stainless Steel	1
842	Motor Cover	FC150 Cast Iron	1
849-1	Ball Bearing		1
849-2	Ball Bearing		1
876	Protector		1
902	Control Device		1
904	Lifting Handle	SS Steel	1
908	Spacer	SS Steel	1
909-1	Float Switch		1
909-2	Float Switch		1
909-3	Float Switch		1
910	Float Pole	Plastics	1